

TEMPERATURE RANGE

STANDARD RESPONSE



°F	°C	Color
135	57	orange
155	68	red
165	74	red
175	79	yellow
200	93	green
212	100	green
286	141	blue
360	182	mauve
450	232	black
500	260	black

QUICK RESPONSE



°F	°C	Color
135	57	orange
155	68	red
165	74	red
175	79	yellow
200	93	green
212	100	green
250	121	blue
286	141	blue
325	162	mauve
360	182	mauve
400	204	black
450	232	black
500	260	black

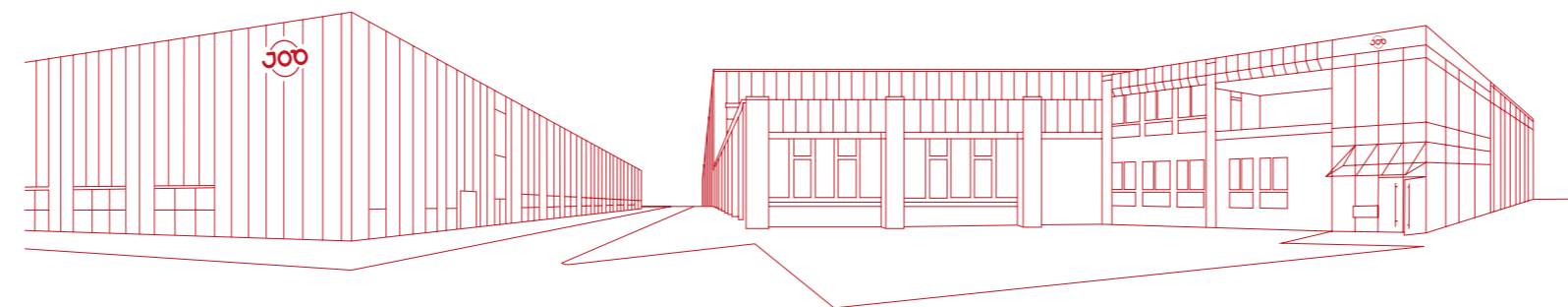


www.job-group.com/products/thermo-bulb-link

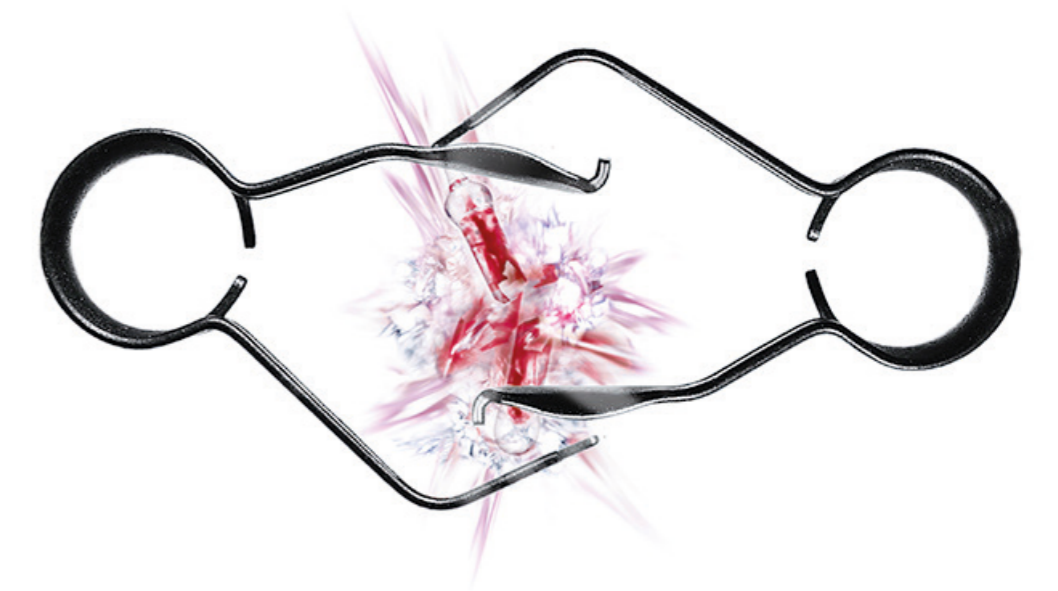


JOB GmbH

Kurt-Fischer-Straße 30 • 22926 Ahrensburg • Germany
info@job-group.com • www.job-group.com



THERMO BULB LINKS



Simply. More. Safety.

THE PRODUCT

Under installation condition the Job Thermo Bulb Link holds the arms of the Thermo Bulb Link in place. In case of fire the hermetically sealed liquid in the glass bulbs expands breaking the bulbs into small fragments and releasing the link arms. Depending on the application, the arms are able to travel for a certain distance activating for example a release mechanism or closing fire door.

JOB Thermo Bulb Links can be categorized in Standard Response and Quick Response Links, where the Quick Response Link has a much faster Response Time Index (RTI). Both versions of the Thermo Bulb Link are using our JOB Thermo Bulbs for activation.



LINK APPLICATIONS

JOB thermo Bulb Links (U.S. Patent No. 5,927,890 and other international patents) can be used in virtually any area where a positive thermally actuated self-releasing mechanism is required to operate in the event of fire, such as:

- Kitchen Hoods, Fire Dampers, Smoke Vents, Ventilation Ducts, etc.
- The activation of water, foam, dry powder, CO₂ or other gaseous based fire extinguishing apparatus
- The activation of devices which open or close windows, doors, roof vents, hatches, machine and belt stops etc.
- The activation of special alarm or evacuation apparatus



LINK ADVANTAGES

The JOB Thermo Bulb Link is a fusible link that protects against secondary fire damage:

- Environmental friendly
- No pre-loads to operate
- Constant activation temperature over lifetime
- Constant operating temperature
- Chemical resistant
- No cold flow

STANDARD RESPONSE

In order to react even faster in the event of fires JOB has combined the successfully proven G5 Thermo Bulb used in standard response sprinklers with a strong and innovative Link design to meet the latest requirements for standard response Link technology and their applications.

MAIN FEATURES

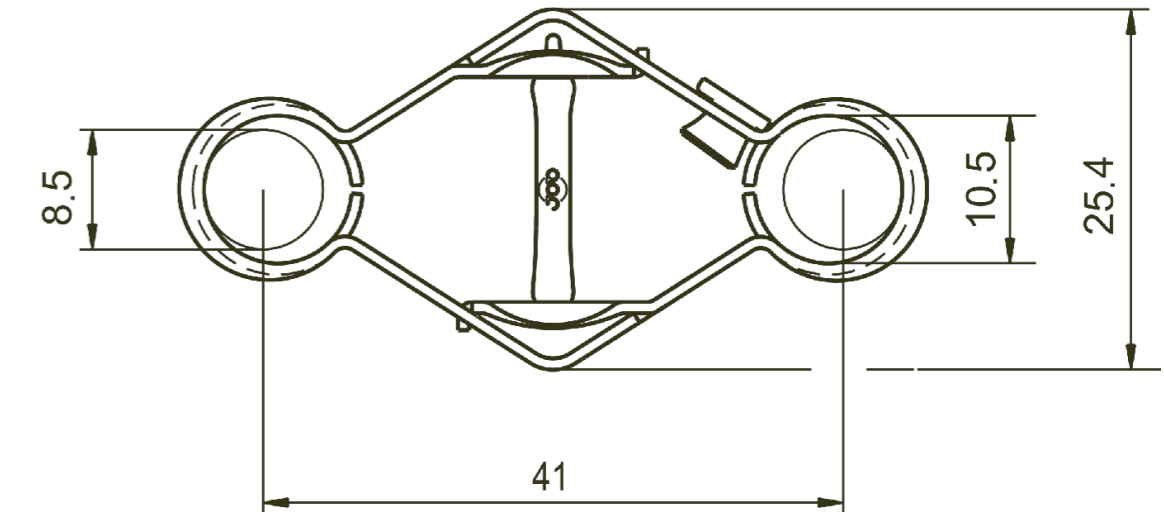
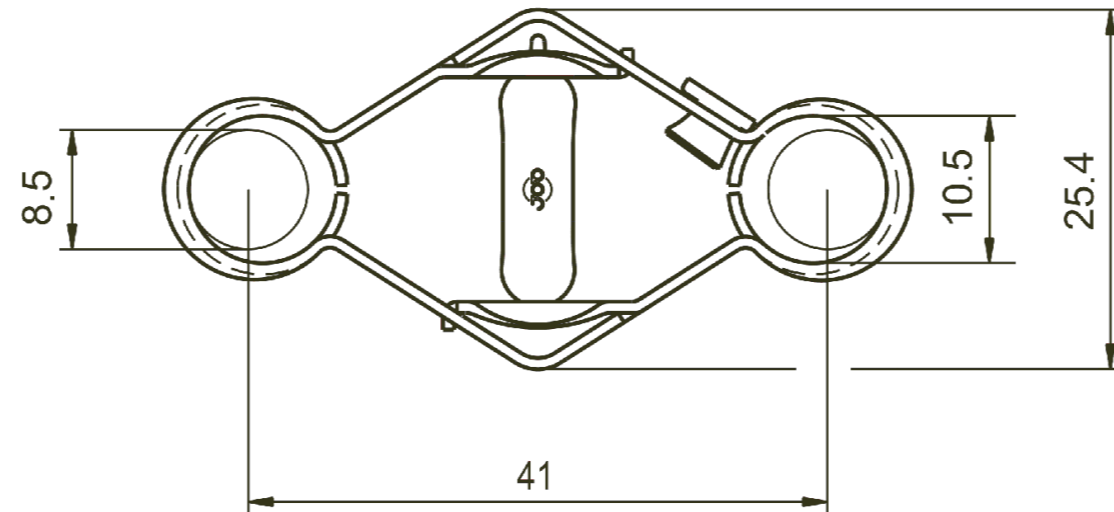
- RTI 105 (ms)^{1/2}
- Temperature range 135°F (57°C) to 500°F (260°C), 10 different temperature ratings
- activates at zero load - no minimum load required
- Permanent load max. 55 lbs.
- Loading safety factor 6
- Developed and tested according to UL 33
- UL listed

QUICK RESPONSE

JOB has combined the F2.5 Thermo Bulb used in ESFR type sprinklers with an innovative Link design. This is to meet the latest requirements for quick response Link technology and their applications.

MAIN FEATURES

- RTI 27 (ms)^{1/2}
- Temperature range 135°F (57°C) to 500°F (260°C), 13 different temperature ratings
- activates at zero load - no minimum load required
- Permanent load max. 55 lbs.
- Loading safety factor 6
- Developed and tested according to UL 33
- UL listed



Simply. More. Safety.